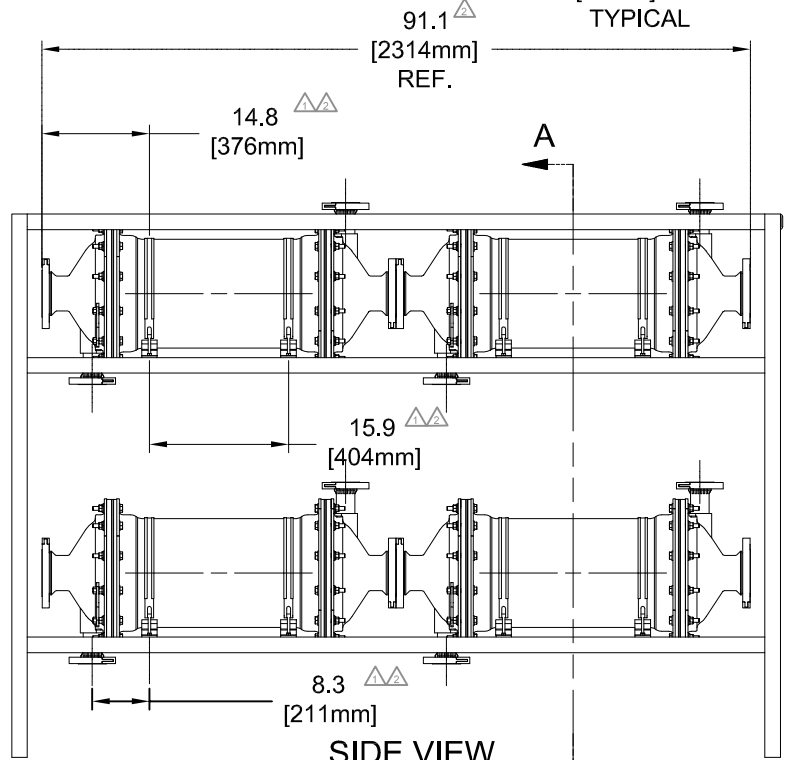


TOP VIEW

1.9
[48mm] MIN
TYPICAL



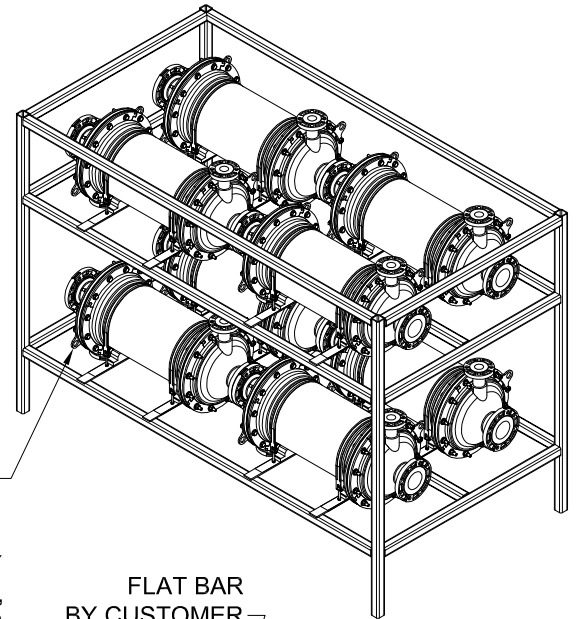
SIDE VIEW
A

BASIC STRUCTURE,
RECTANGULAR OR
SQUARE TUBING,
WELDED
CONSTRUCTION
BY CUSTOMER

24.0
[610mm]

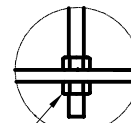
2.4
[61mm] MIN
TYPICAL

LIFTING LUGS
TWO LOCATED THIS SIDE
TWO LOCATED OPPOSITE SIDE
FOR LIFTING CONTACTORS



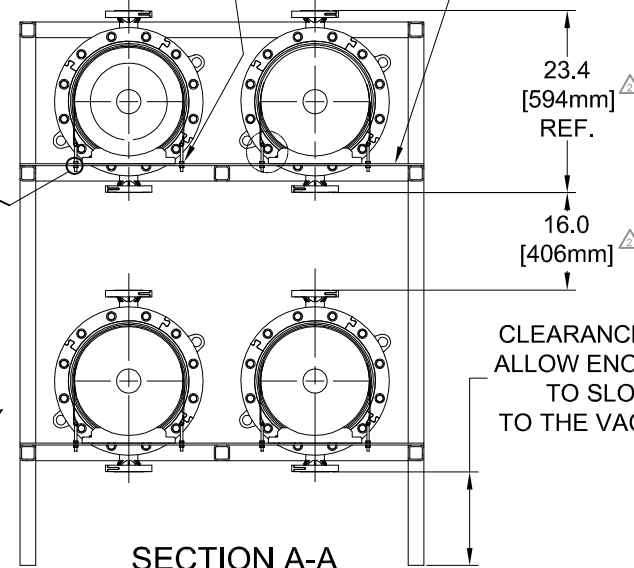
CONTACTOR STRAP ASSEMBLY
KIT SOLD SEPARATELY,
2 PER CONTACTOR
DRAWING SMC-0114-12-6437

FLAT BAR
BY CUSTOMER



DET B

HEX NUTS PROVIDED
WITH STRAP ASSEMBLY
KITS, SEE DRAWING
SMC-0114-12-6437



SECTION A-A

CLEARANCE TO FLOOR
ALLOW ENOUGH SPACE
TO SLOPE PIPE
TO THE VACUUM PUMP

REV	DESCRIPTION	DRW BY	CHKD BY	APVD BY	D	R
1	MCS 17.8, 7.4, 13.9, ADDED FORTH LIFTING LUG	EWB			07-08	
2	MCS 14.8, 16.0, 8.4, 91.6 REF. CORRECTED METRIC CONVERSIONS	EWB			06-08	

DIMENSIONAL TOLERANCES APPLY UNLESS OTHERWISE SPECIFIED	
DIMENSIONAL TOLERANCES-ROUNDS	DIMENSIONAL TOLERANCES-MILLIMETERS
1 DECIMAL PLACE ±.06	0 DECIMAL PLACES ±.5
2 DECIMAL PLACES ±.02	1 DECIMAL PLACE ±.2
3 DECIMAL PLACES ±.008	2 DECIMAL PLACES ±.12

MEMBRANA
Underlining Performance

REQD	PART	DRAWING NUMBER	DESCRIPTION	MATERIAL	REMARKS

DO NOT SCALE THIS DRAWING

THIRD ANGLE PROJECTION

DRAWN BY **SDM**

CHECKED BY

APPROVED BY

SHEET NO 1 OF 1

SCALE

DRAWING NUMBER SMC-0114-12-6868

REVISION 2

DRAWING TITLE 14 X 28 RECOMMENDED HORIZONTAL MOUNTING

REF MACHINE

PLOTTED: